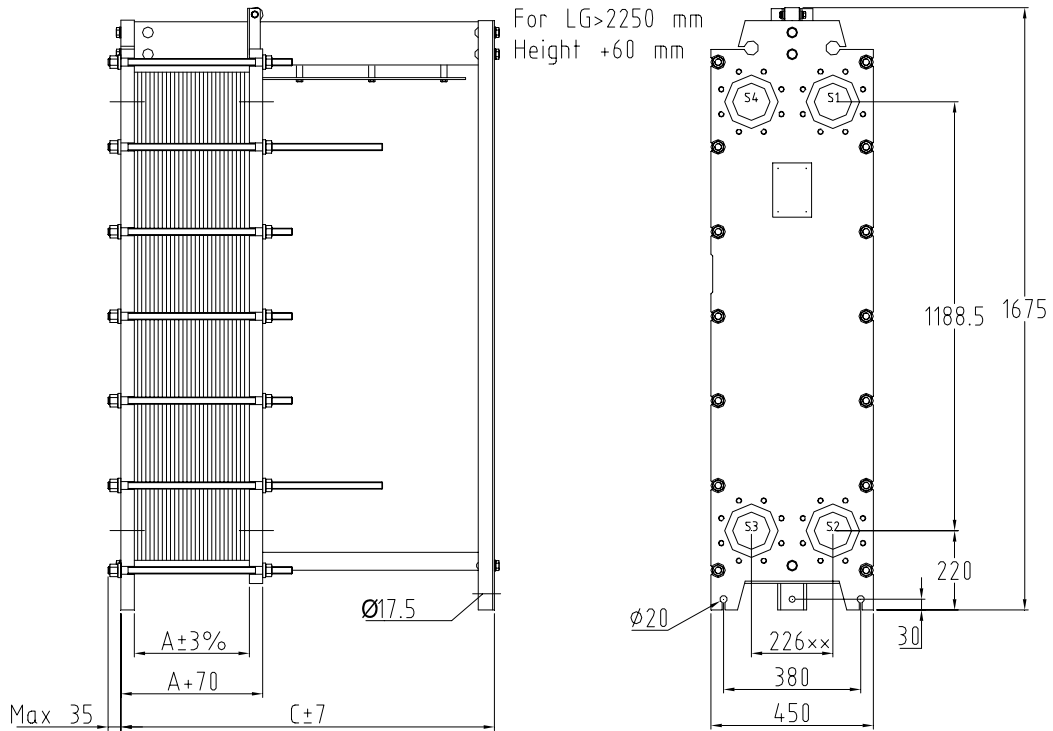
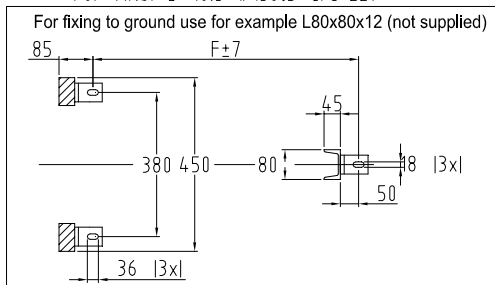




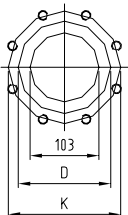
PLATE HEAT EXCHANGER
GC-44P
DIMENSIONS, MM



xx For ANSI B 16.5 #150lb C/C=229



Available connections.



Conn. fits	D	K	Threaded	No. of bolts
DIN x	148	180	M16x25	8
ANSI x	148	190.5	5/8"UNCx25	8
JIS 10K	148	175	M16x25	8
JIS 5K	143	165	M16x25	8

x DIN 2501 PN 16
ANSI B 16.5 #150lb

The Plate Heat Exchanger has 4 connections as standard and should be installed with min. 600 mm space on both sides for service work.

Subject to alterations without prior notice.

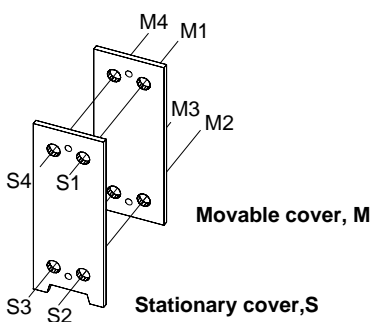




PLATE HEAT EXCHANGER
GC-44P
DIMENSIONS, MM

Standard connection dimension	DN100								
Tightening bolt	M20								
No. of long tightening bolts (T _L)	4								
No. of short tightening (T _S)	10								
Cover thickness	35 mm								
Weight of guiding bar	11 kg/m								
Weight of reinforced guiding bar	17 kg/m								
Weight of tightening bolt	2,0 kg/m								
A-dimension	2,1*n mm								
C-dimension	LG+41 mm								
F-dimension	LG+6 mm								
Weight plate+gasket (W)	<table style="border: none;"> <tr> <td style="padding-right: 20px;">AISI 304/316 0,5 mm</td> <td>2,1 kg</td> </tr> <tr> <td>AISI 304/316 0,6 mm</td> <td>2,5 kg</td> </tr> <tr> <td>Titanium 0,5 mm</td> <td>1,3 kg</td> </tr> <tr> <td>Titanium 0,6 mm</td> <td>1,6 kg</td> </tr> </table>	AISI 304/316 0,5 mm	2,1 kg	AISI 304/316 0,6 mm	2,5 kg	Titanium 0,5 mm	1,3 kg	Titanium 0,6 mm	1,6 kg
AISI 304/316 0,5 mm	2,1 kg								
AISI 304/316 0,6 mm	2,5 kg								
Titanium 0,5 mm	1,3 kg								
Titanium 0,6 mm	1,6 kg								
Weight Frame	391+n*W kg								

Max No of plates	LT _L	LG	C	F
31	250	600	641	606
61	375	600	641	606
88	500	600	641	606
90	500	1000	1041	1006
150	750	1000	1041	1006
183	1000	1000	1041	1006
210	1000	1350	1391	1356
266	1250	1350	1391	1356
269	1250	1550	1591	1556
314	1500	1550	1591	1556
329	1500	1900	1941	1906
448	2000	2250	2291	2256
480	2250	2250	2291	2256
650	3000	3000 ¹⁾	3041	3006

LT_L = Length of long tightening bolt, based on 4,2 x n + 118 mm

LG = Length of guiding bar, based on 4,2 x n + 230 mm

n = number of plates

1) LG>2250 mm reinforced guiding bar Height+60mm.

Total max no. of plates	
AISI 304/316 0,5 mm	680

All data is based on plates with material AISI 304/316 and thickness 0,5 mm.