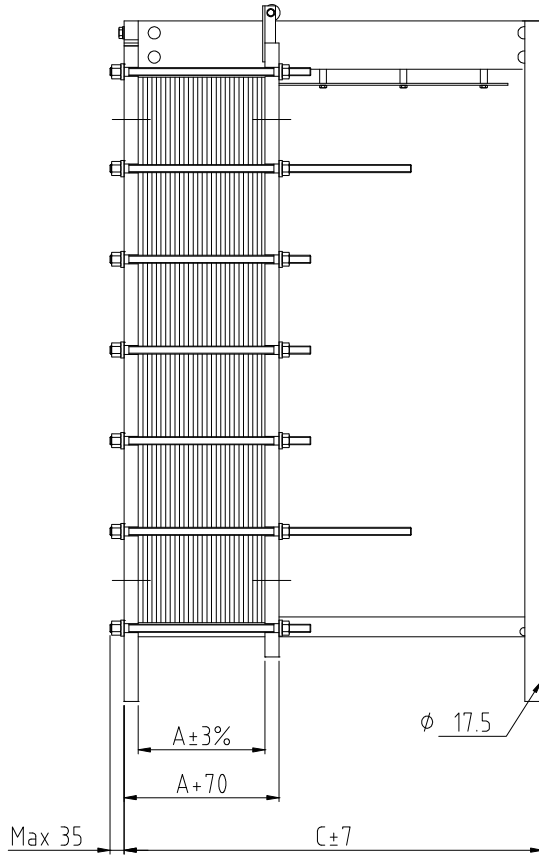
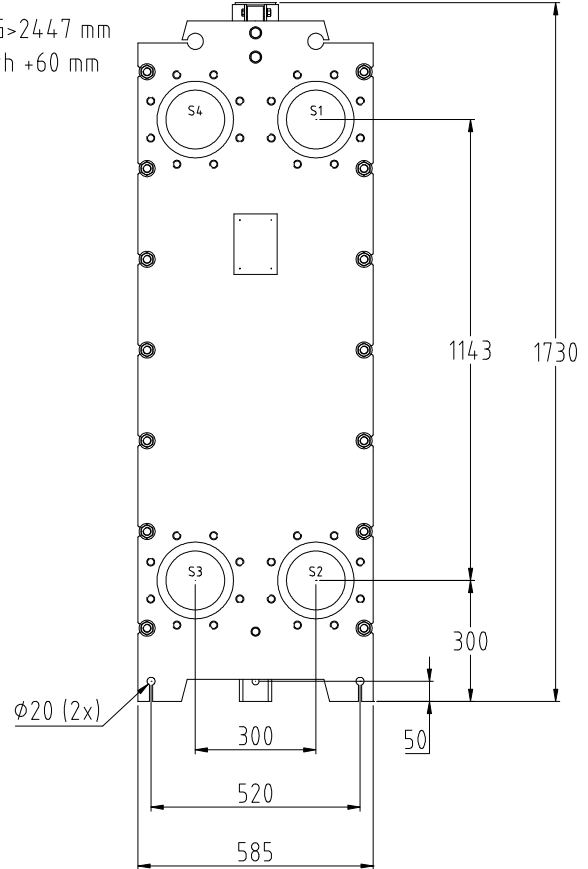




PLATE HEAT EXCHANGER
GC-51N
DIMENSIONS, MM

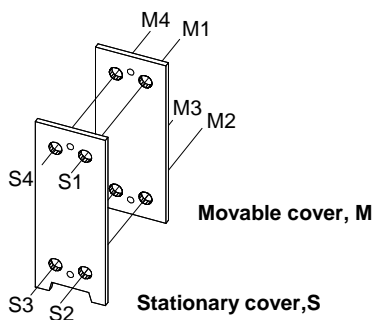
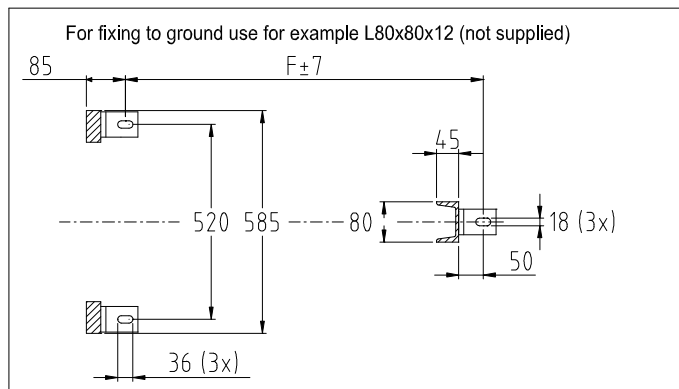


For LG>2447 mm
Height +60 mm



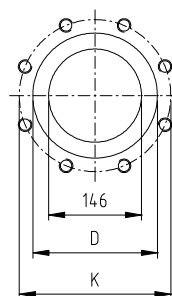
The Plate Heat Exchanger has 4 connections as standard and should be installed with min. 1000 mm space on both sides for service work.

Subject to alterations without prior notice.



Available connections.

Conn. fits	D	K	Threaded	No. of bolts
DIN x	217	240	M20x30	8
ANSI x	217	241.3	3/4"UNCx30	8
JIS 10K	217	240	M20x30	8
JIS 5K	210	230	M16x25	8



x DIN 2501 PN 10
ANSI B 16.5 # 150lb



PLATE HEAT EXCHANGER

GC-51N

DIMENSIONS, MM

Standard connection dimension	DN150								
Tightening bolt	M20								
No. of long tightening bolts (T _L)	4								
No. of short tightening (T _S)	10								
Cover thickness	35 mm								
Weight of guiding bar	11 kg/m								
Weight of reinforced guiding bar	17 kg/m								
Weight of tightening bolt	2,0 kg/m								
A-dimension	4,5*n mm								
C-dimension	LG+41 mm								
F-dimension	LG+6 mm								
Weight plate+gasket (W)	<table border="0"> <tr> <td>AISI 304/316 0,5 mm</td> <td>2,59 kg</td> </tr> <tr> <td>AISI 304/316 0,6 mm</td> <td>3,11 kg</td> </tr> <tr> <td>Titanium 0,5 mm</td> <td>1,60 kg</td> </tr> <tr> <td>Titanium 0,6 mm</td> <td>1,92 kg</td> </tr> </table>	AISI 304/316 0,5 mm	2,59 kg	AISI 304/316 0,6 mm	3,11 kg	Titanium 0,5 mm	1,60 kg	Titanium 0,6 mm	1,92 kg
AISI 304/316 0,5 mm	2,59 kg								
AISI 304/316 0,6 mm	3,11 kg								
Titanium 0,5 mm	1,60 kg								
Titanium 0,6 mm	1,92 kg								
Weight Frame	630+n*W kg								

Max No of plates	LT _L	LG	C	F
29	375	600	641	606
56	500	600	641	606
85	750	1000	1041	1006
114	1000	1000	1041	1006
122	1000	1350	1391	1356
167	1250	1350	1391	1356
197	1500	1550	1591	1556
249	1900	1900	1941	1906
256	1900	2250	2291	2256
301	-	2250	2291	2256

LT_L = Length of long tightening bolt, based on 6,7 x n + 114 mm

LG = Length of guiding bar, based on 6,7 x n + 230 mm

n = number of plates

Total min no. of plates	
AISI 304/316 0,5 mm	25

Total max no. of plates	
AISI 304/316 0,5 mm	452

LG>2447 mm = reinforced guiding bar, total height +60mm.

All data is based on plates with material AISI 304/316 and thickness 0,5 mm.