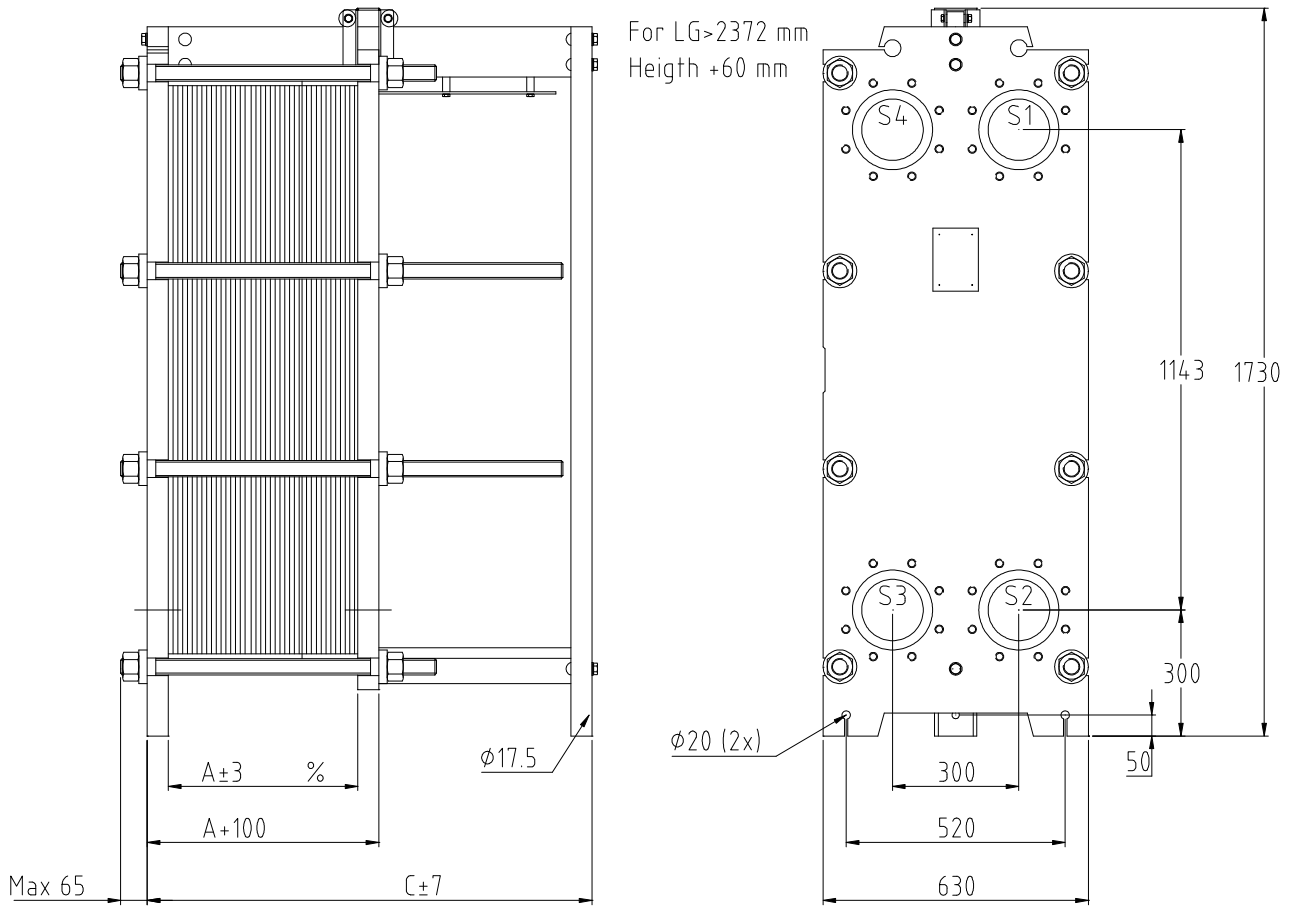




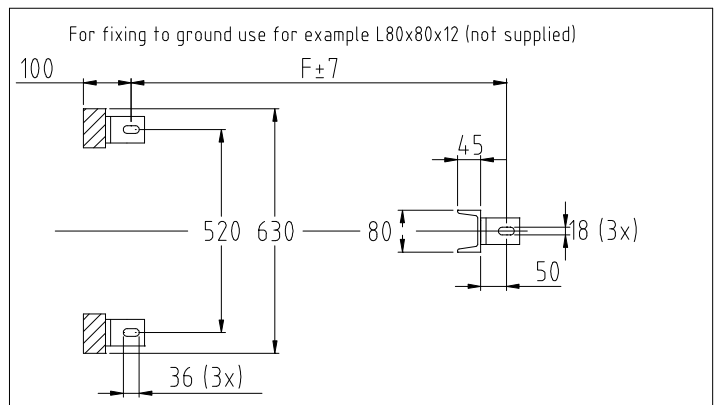
PLATE HEAT EXCHANGER  
**GC-54P**  
 DIMENSIONS, MM



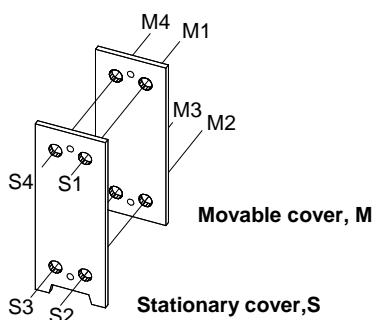
For LG>2372 mm  
 Height +60 mm

The Plate Heat Exchanger has 4 connections as standard and should be installed with min. 1000 mm space on both sides for service work.

Subject to alterations without prior notice.



For fixing to ground use for example L80x80x12 (not supplied)



Available connections.

Conn. fits	D	K	Threaded	No. of bolts
DIN ×	217	240	M20x30	8
ANSI ×	217	241.3	3/4"UNCx30	8
JIS 10K	217	240	M20x30	8
JIS 5K	210	230	M16x25	8

× DIN 2501 PN 16  
 ANSI B 16.5 # 150lb



PLATE HEAT EXCHANGER  
**GC-54P**  
DIMENSIONS, MM

Standard connection dimension	DN150
Tightening bolt	M39
No. of long tightening bolts (T <sub>L</sub> )	4
No. of short tightening bolts (T <sub>S</sub> )	4
Cover thickness	50 mm
Weight of guiding bar	11 kg/m
Weight of reinforced guiding bar	17 kg/m
Weight of tightening bolt	8,1 kg/m
A-dimension	2,1*n mm
C-dimension	LG+56 mm
F-dimension	LG+6 mm
Weight plate+gasket (W)	AISI 304/316 0,4 mm Titanium 0,4 mm
	1,92kg 1,11 kg
Weight Frame	880+n*W kg

Max No of plates	LT <sub>L</sub>	LG	C	F
69	500	600	656	606
88	750	600	656	606
128	750	1000	1056	1006
183	1050	1000	1056	1006
200	1050	1350	1406	1356
266	1350	1350	1406	1356
271	1350	1550	1606	1556
314	1650	1550	1606	1556
342	1650	1900	1956	1906
397	1950	1900	1956	1906
414	1950	2250	2306	2256
480	2250	2250	2306	2256
485	2250	3000 <sup>1)</sup>	3056	3006
659	3000	3000 <sup>1)</sup>	3056	3006

LT<sub>L</sub> = Length of long tightening bolt, based on 4,2 x n + 210 mm  
 LG = Length of guiding bar, based on 4,2 x n + 230 mm  
 n = number of plates

Total max no. of plates	
AISI 304/316 0,4 mm	700

Total min no. of plates	
AISI 304/316 0,4 mm	30

1) LG>2372 mm reinforced guiding bar Height+60mm.

All data is based on plates with material AISI 304/316 and thickness 0,4 mm.