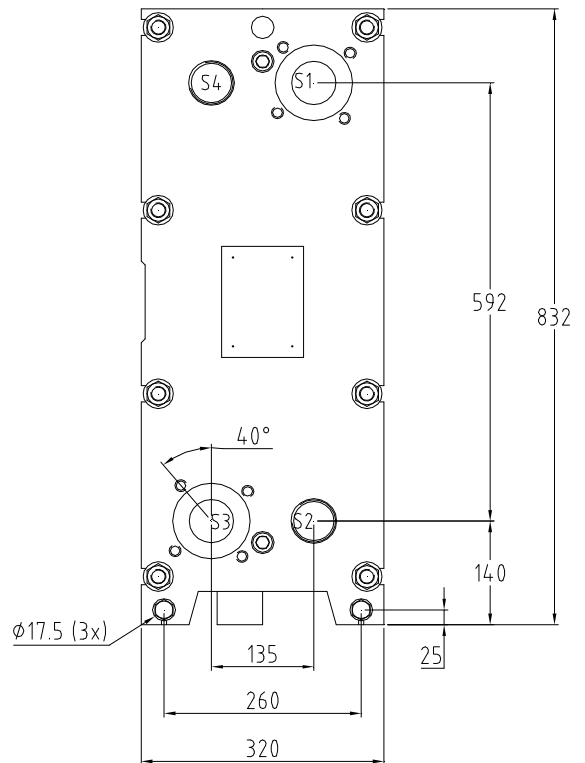
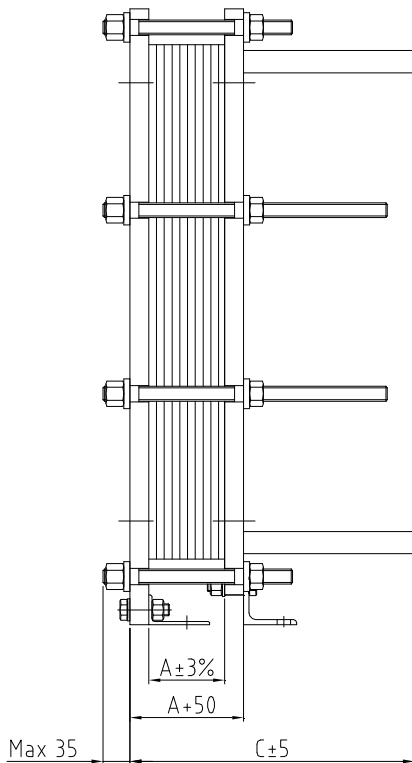




PLATE HEAT EXCHANGER  
**GX-12PI**  
DIMENSIONS, MM



**Available connections:**

- 4x flange connections**
- 4x threaded pipe connections**
- 2x flange connections / 2x pipe connections**

The Plate Heat Exchanger has 4 connections as standard and should be installed with min. 600 mm space on both sides for service work.

Subject to alterations without prior notice.

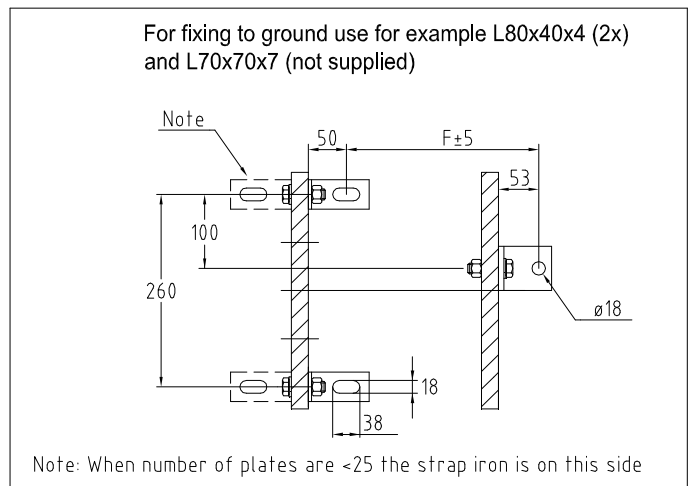
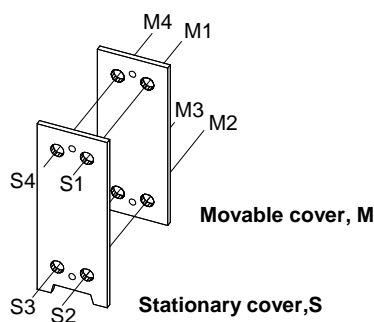
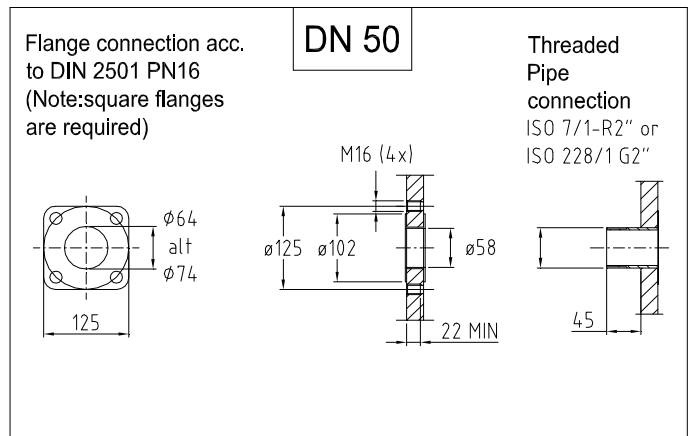




PLATE HEAT EXCHANGER  
**GX-12PI**  
DIMENSIONS, MM

Standard connection dimension	DN50								
Tightening bolt	M20								
No. of long tightening bolts (T <sub>L</sub> )	4								
No. of short tightening bolts (T <sub>s</sub> )	4								
Cover thickness	25 mm								
Weight of guiding bar	1,4 kg/m								
Weight of tightening bolt	2,0 kg/m								
A-dimension	3,4*n mm								
C-dimension	LG + 25								
F-dimension	A + 28 mm								
Weight plate+gasket (W)	<table style="border: none;"> <tr> <td style="padding-right: 20px;">AISI 304/316 0,5 mm</td> <td>0,76 kg</td> </tr> <tr> <td>AISI 304/316 0,6 mm</td> <td>0,91 kg</td> </tr> <tr> <td>Titanium 0,5 mm</td> <td>0,46 kg</td> </tr> <tr> <td>Titanium 0,6 mm</td> <td>0,55 kg</td> </tr> </table>	AISI 304/316 0,5 mm	0,76 kg	AISI 304/316 0,6 mm	0,91 kg	Titanium 0,5 mm	0,46 kg	Titanium 0,6 mm	0,55 kg
AISI 304/316 0,5 mm	0,76 kg								
AISI 304/316 0,6 mm	0,91 kg								
Titanium 0,5 mm	0,46 kg								
Titanium 0,6 mm	0,55 kg								
Weight Frame	110+n*W kg								

Max No of plates	LT <sub>L</sub>	LG	C	F
25	250	215	240	A+28
47	375	340	365	A+28
71	500	555	580	A+28

LT<sub>L</sub> = Length of long tightening bolt  
 LG = Length of guiding bar  
 n = number of plates

Total max no. of plates	
AISI 304/316 0,5 mm	71

All data is based on plates with material AISI 304/316 and thickness 0,5 mm.