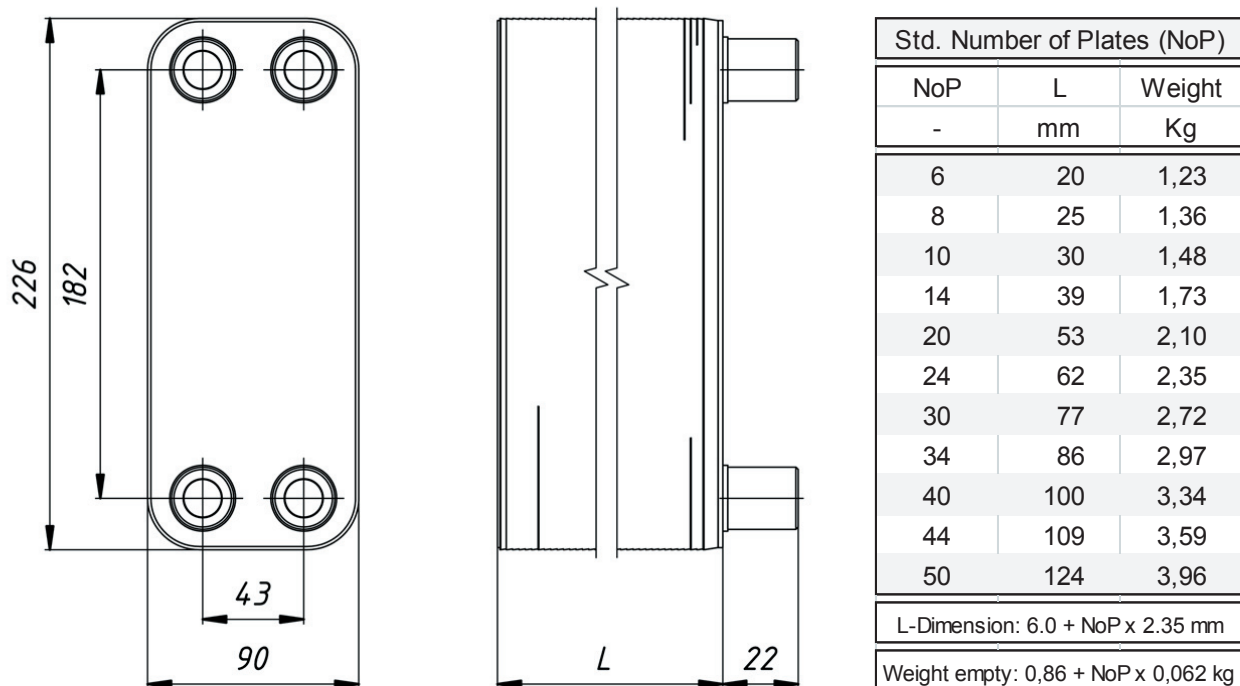


NB 238

NB Series – Technical Dimension Sheet

Olsson produces a comprehensive range of BPHE featuring different sizes, plate counts, thermal characteristics and mechanical configuration. The NB series can be adapted to numerous standard applications while working across a wide capacity and fluid range. Though, it always offers the most reliable and economic solution for your demanding heat transfer duty.

Dimensions [mm]

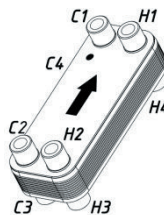


Technical data:

Max. allowable Pressure at 200°C:	31 bar	Min./Max. Number of Plates:	6/50
Min. allowable Pressure:	Vacuum	Materials, product wetted parts:	AISI 316L
Test Pressure (P _T):	55 bar	Materials, others:	AISI 304
Min./Max. Temperature:	-200 / +200°C	Brazing Filler Material:	Pure Cu

Standard Configuration:

Single-pass, all 4 connections on Front, primary fluid left hand (C1,C2), secondary fluid (H1,H2)



Customized Configuration:

Multi-pass, other flow variants, additional connections, any types & sizes, non-std. no. of plates and many more

Third Party Approval: PED – 97/23/EC, Fluid Group: I/II, CE-1407, other certifications on request

Material Disclaimer: The information and recommendations contained in this printing are presented in good faith. However, they shall serve as non-binding description only. Alfa Nordic makes no representations or warranties as to the completeness or accuracy of the content and disclaims any responsibility thereof.