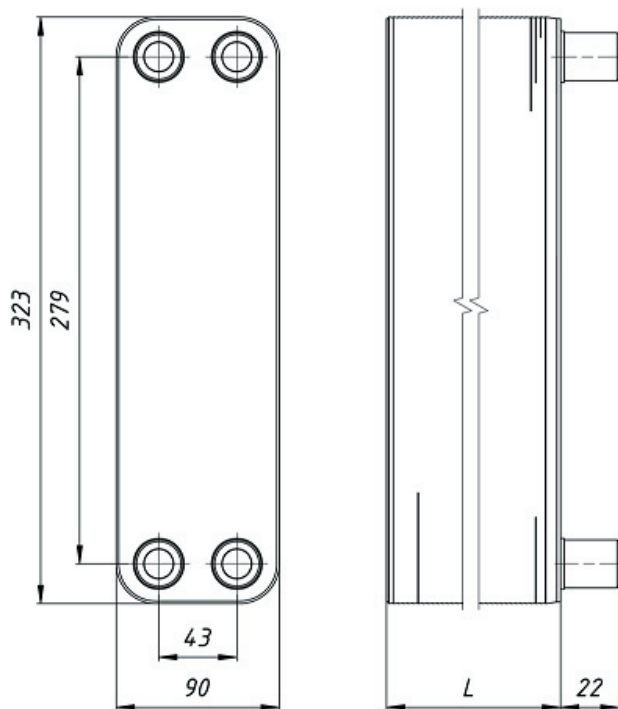


NB 328

NB Series – Technical Dimension Sheet

Olsson produces a comprehensive range of BPHE featuring different sizes, plate counts, thermal characteristics and mechanical configuration. The NB series can be adapted to numerous standard applications while working across a wide capacity and fluid range. Though, it always offers the most reliable and economic solution for your demanding heat transfer duty.

Dimensions [mm]



Std. Number of Plates (NoP)		
NoP	L	Weight
-	mm	Kg
6	20	1,63
8	25	1,81
10	30	1,99
14	39	2,35
20	53	2,88
24	62	3,24
30	77	3,77
34	86	4,13
40	100	4,66
44	109	5,02
50	124	5,55

L-Dimension: $6.0 + \text{NoP} \times 2.35 \text{ mm}$		
Weight empty: $1,10 + \text{NoP} \times 0,089 \text{ kg}$		

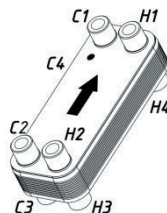
Technical data:

Max. allowable Pressure at 200°C: 31 bar
 Min. allowable Pressure: Vacuum
 Test Pressure (P_T): 55 bar
 Min./Max. Temperature: -200 / +200°C

Min./Max. Number of Plates: 6/50
 Materials, product wetted parts: AISI 316L
 Materials, others: AISI 304
 Brazing Filler Material: Pure Cu

Standard Configuration:

Single-pass, all 4 connections on Front, primary fluid left hand (C1,C2), secondary fluid (H1,H2)



Customized Configuration:

Multi-pass, other flow variants, additional connections, any types & sizes, non-std. no. of plates and many more

Third Party Approval: PED – 97/23/EC, Fluid Group: I/II, CE-1407, other certifications on request

Material Disclaimer: The information and recommendations contained in this printing are presented in good faith. However, they shall serve as non-binding description only. Alfa Nordic makes no representations or warranties as to the completeness or accuracy of the content and disclaims any responsibility thereof.